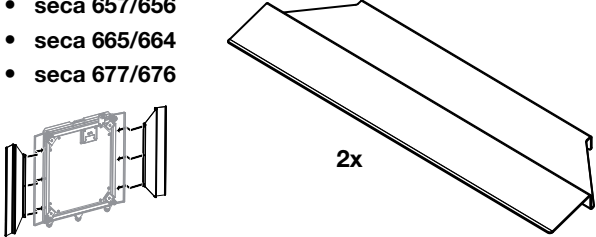
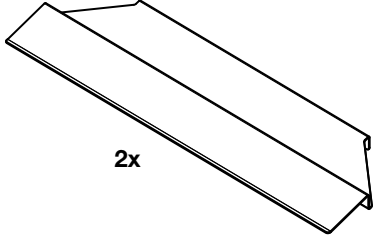


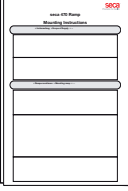
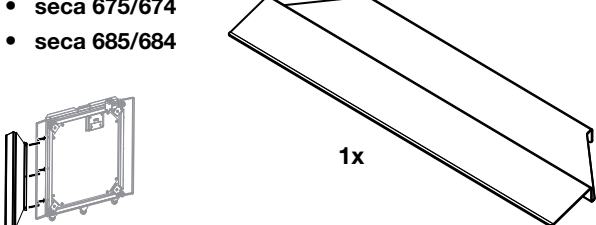
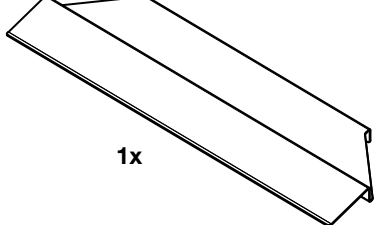

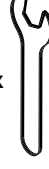



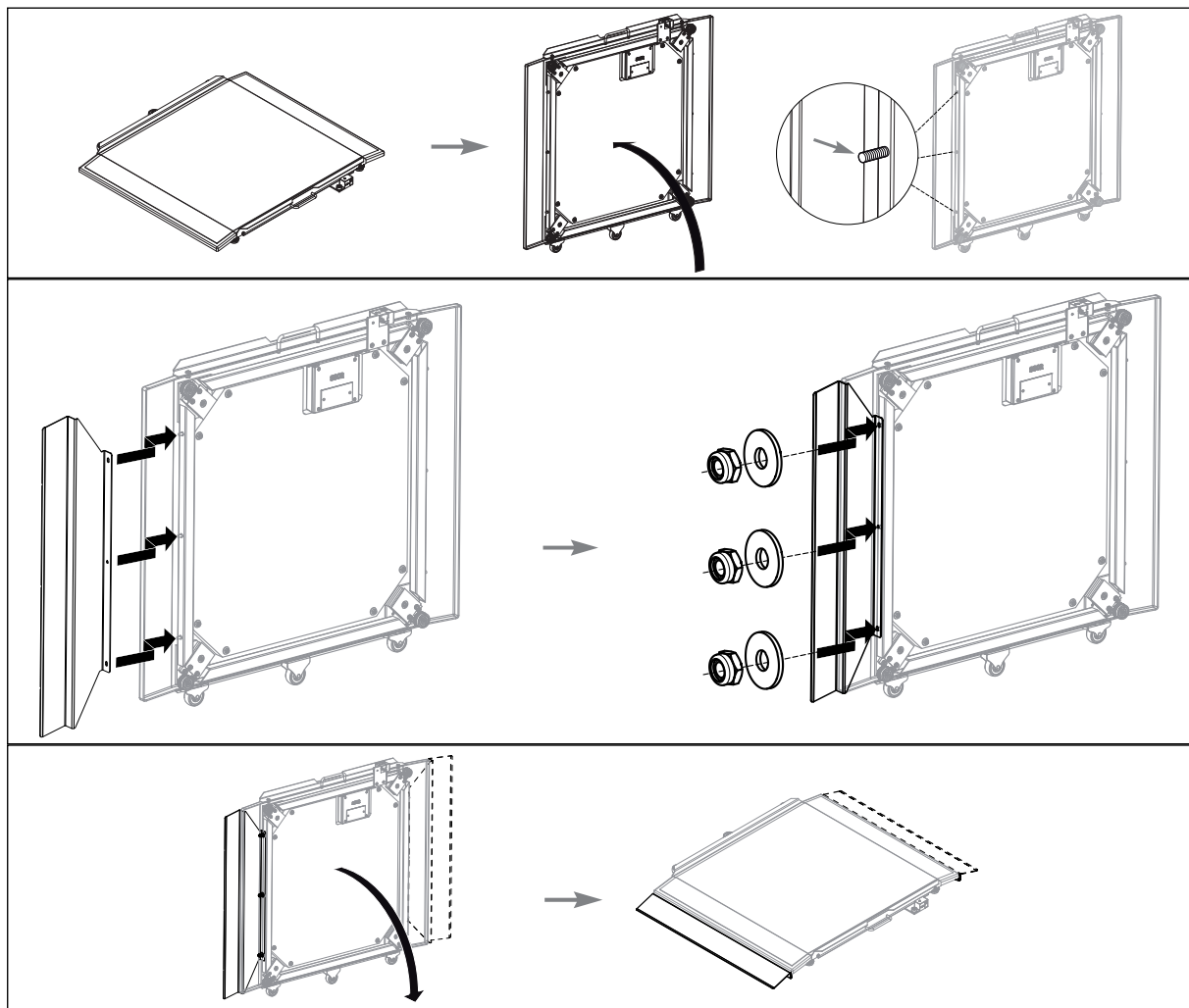
seca 470 Ramp

Mounting Instructions

• Lieferumfang • Scope of Supply • Éléments livrés • Dotazione • Volumen de suministro • Escopo de fornecimento
 • Zakres dostawy • Leveringsomfang • Leveransomfattning • Inkludert i leveransen • Toimituksen sisältö • Omvang van de levering • Περιεχόμενα παράδοσης • Комплект поставки • 发货包装的所有配件 • 納品物

<ul style="list-style-type: none"> • seca 657/656 • seca 665/664 • seca 677/676 	 <p>2x</p>	 <p>6x 6x</p>	 <p>1x</p>	 <p>1x</p>
<ul style="list-style-type: none"> • seca 675/674 • seca 685/684 	 <p>1x</p>	 <p>3x 3x</p>	 <p>1x</p>	 <p>1x</p>

• Rampe monterien • Fitting the ramp • Montage de rampe • Montaggio di rampa • Montaje de la rampa • Montagem da rampa • Montaż rampy • Montering af rampe • Montering av rampen • Montering av rampen • Rampin asennus • Helling monteren • Συναρμολόγηση ράμπας • Монтаж наклонной ramпы • 安装坡道 • スロープを組み立てる



Medical Measuring Systems and Scales since 1840

seca gmbh & co. kg
Hammer Steindamm 9–25
22089 Hamburg · Germany
Telephone +49 40 20 00 00 0
Fax +49 40 20 00 00 50
info@seca.com

seca operates worldwide with headquarters
in Germany and branches in:

seca france

seca united kingdom

seca north america

seca schweiz

seca zhong guo

seca nihon

seca mexico

seca austria

seca polska

seca middle east

seca brasil

seca suomi

and with exclusive partners in
more than 110 countries.

All contact data under www.seca.com